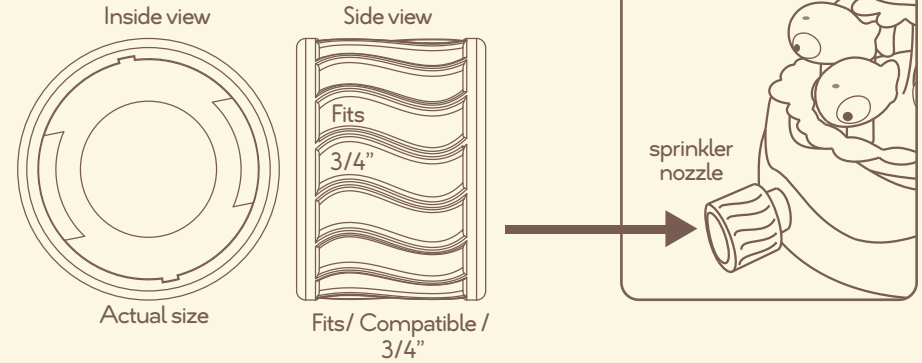


B.

A sprinkler that whale
make quite a splash!

2 YEARS +



Whirly Whale Sprinkler™

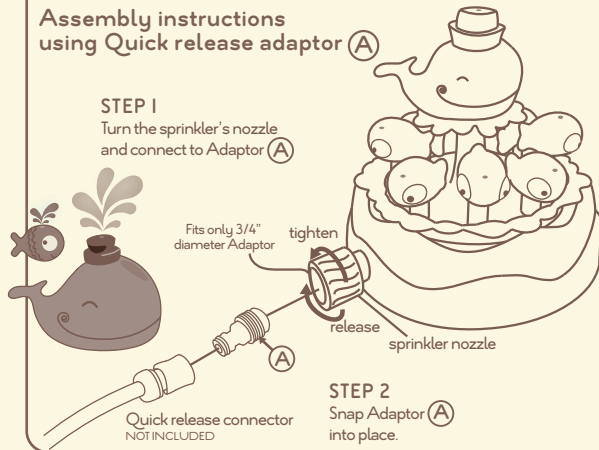


1 x Quick release adaptor

Assembly instructions using Quick release adaptor (A)

STEP 1

Turn the sprinkler's nozzle and connect to Adaptor (A)



STEP 2
Snap Adaptor (A) into place.

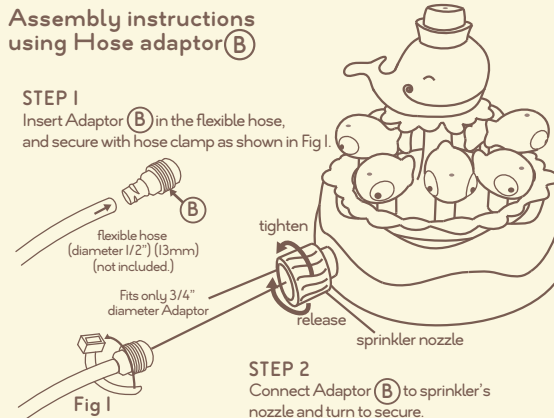


1 x Hose adaptor

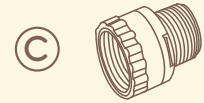
Assembly instructions using Hose adaptor (B)

STEP 1

Insert Adaptor (B) in the flexible hose, and secure with hose clamp as shown in Fig 1.



STEP 2
Connect Adaptor (B) to sprinkler's nozzle and turn to secure.

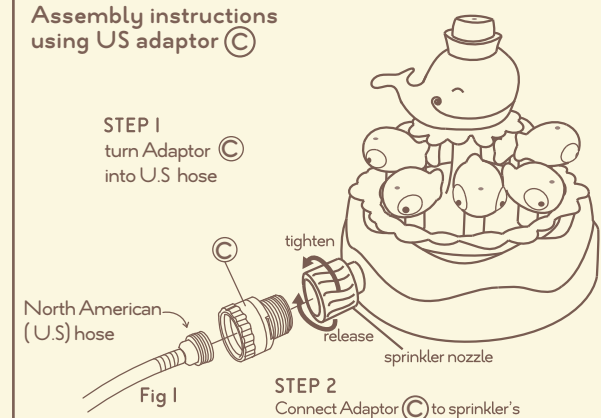


1 x US adaptor

Assembly instructions using US adaptor (C)

STEP 1

turn Adaptor (C) into U.S. hose



STEP 2
Connect Adaptor (C) to sprinkler's nozzle and turn to secure.

⚠ CAUTION:

- Always turn on the water slowly. It may take a few moments before water begins to spray.
- Make sure there's plenty of space around the sprinkler. Everything within a 2 meters' radius (6,5 ft) might get wet.
- Before connecting the adaptor (A, B or C) to the hose faucet, make sure the connecting surface is clean.
- Never put sand, rocks or any heavy/hard items on top of the sprinkler.
- Children should not play with the adaptors.

- If ever sand makes its way inside the sprinkler, simply wash with running water to avoid damaging the rotating parts.
- Water may leak out while this sprinkler is in use, this will not affect durability.
- Remove all water and air dry before storing this sprinkler for a long period of time.
- Please use the 3 included adaptors to connect the hose to the sprinkler's nozzle. Any non-standard hose (ex: not diameter 3/4") may damage sprinkler nozzle.

© 2018 Maison Battat Inc.
B. and Whirly Whale Sprinkler and Just B. Just You. B. You are trademarks of Maison Battat Inc.

Manufactured for Maison Battat Inc.
8440 Darnley Road, Montreal, P.Q.
H4T 1M4 Designed by Maison Battat Inc.
Consumer Information Line:
1-866-665-5524

